



Original instructions

ENG

1/18

# LaBounty

# LMB9580

**HYDRAULIC BREAKER**  
**Parts manual**



Part Number: **PMLMB9580XENG.118**

# TABLE OF CONTENTS

Accumulator . . . . .	4
Main valve . . . . .	5
Pressure control valve . . . . .	6
Idle selector . . . . .	8
Stroke selector valve . . . . .	9
Tie rods . . . . .	10
Body parts . . . . .	11
Front head . . . . .	13
Lower tool bushing . . . . .	14
Tool . . . . .	15
Seal set . . . . .	16
Service kit . . . . .	18
Greasing device . . . . .	19

---

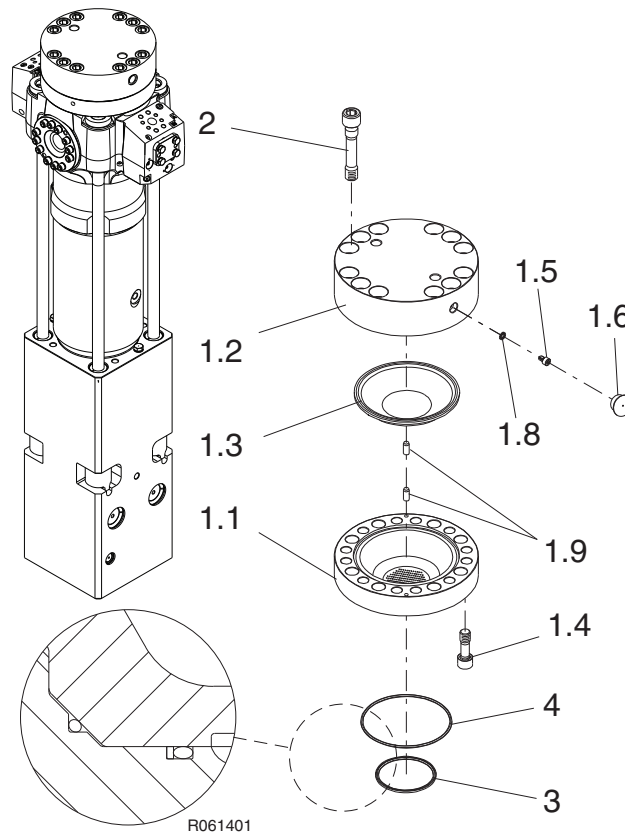
•

---

# PARTS

# ACCUMULATOR

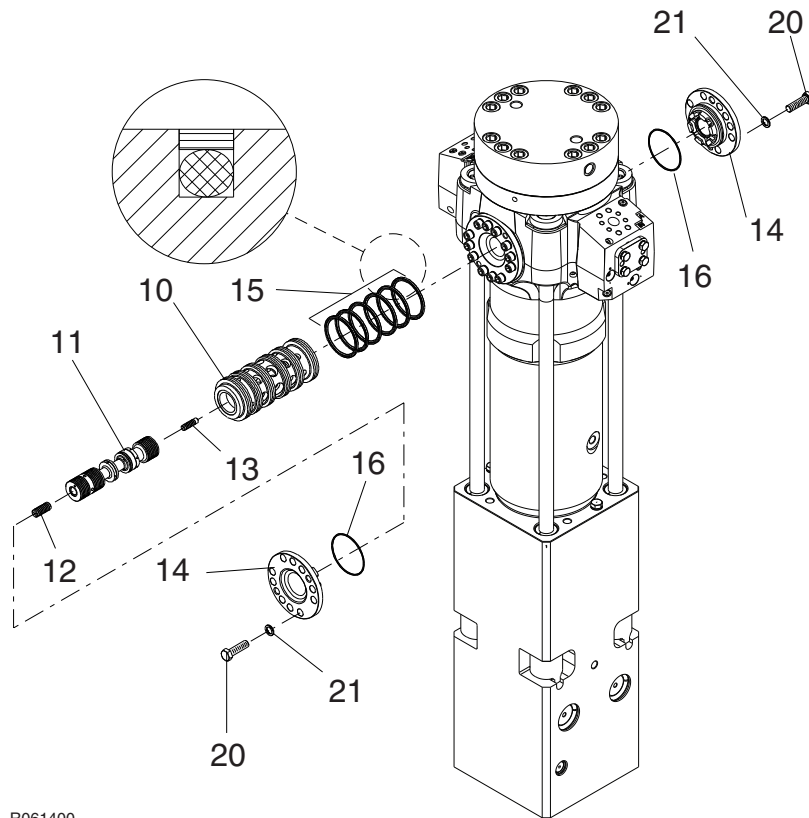
## ACCUMULATOR



Item	Description	Part no.	Specification	Note	Qty
1	Accumulator (incl. parts 1.1-1.9)	80666			1
1.1	Accumulator bottom	80667			1
1.2	Accumulator cover	80668			1
1.3	Membrane	80669			1
1.4	Accumulator screw	80670			8
1.5	Filling plug	76921			1
1.6	Shield plug	80671			1
1.8	Usit-ring	76846	8-13.9-1	*	1
1.9	Parallel pin	77781	10m6x24 ISO 8734		2
2	Accumulator screw	80672			12
3	Seal	80673		*	1
4	O-ring	80674	D285	*	1
	*) Are included in seal set				

# MAIN VALVE

## MAIN VALVE

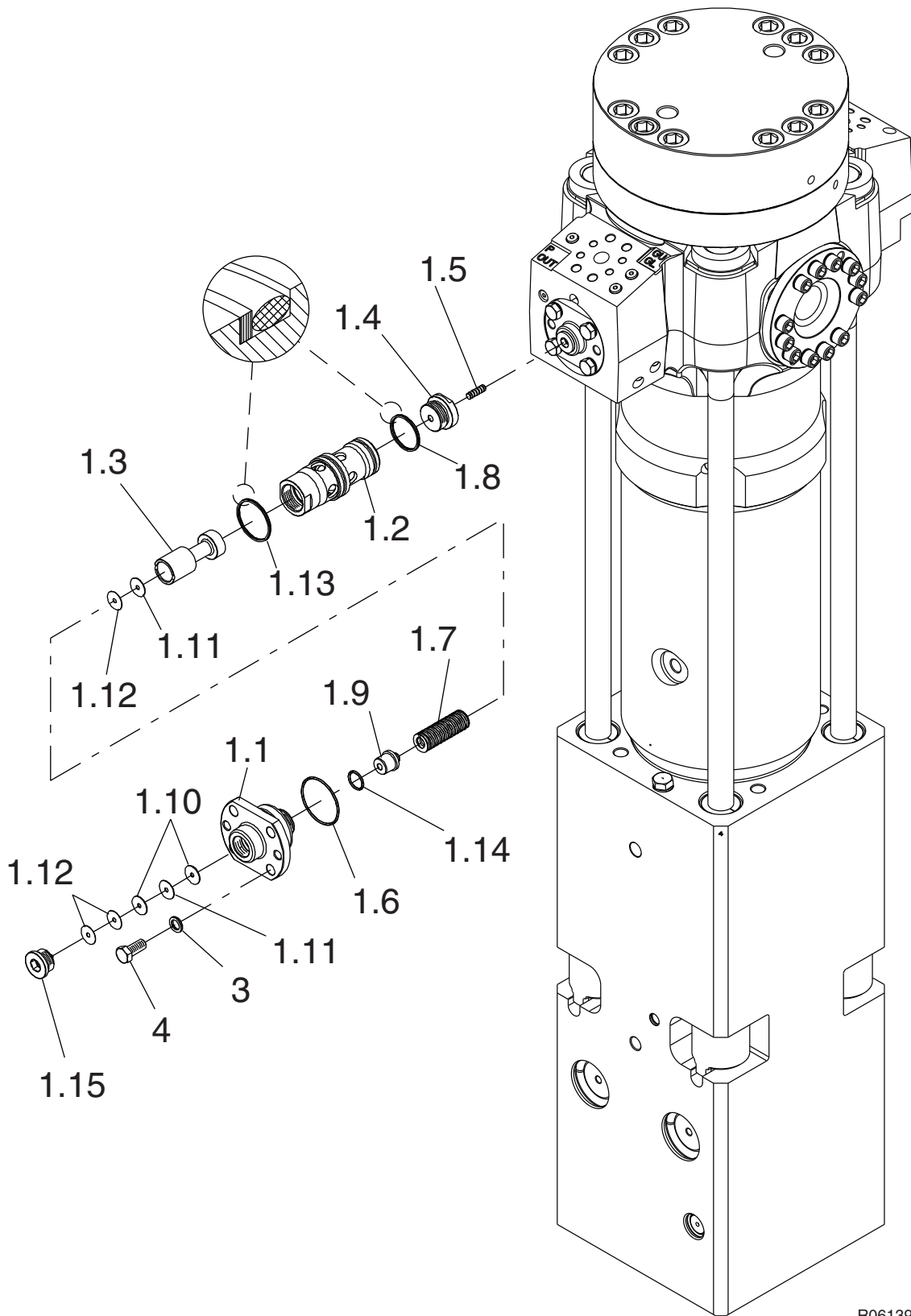


R061400

Item	Description	Part no.	Specification	Note	Qty
1	Main valve (incl. parts 10-14)	80675			1
10	Main valve bushing	80676			1
11	Main spool	80677			1
12	Spool	80678			1
13	Spool	80679			1
14	Cover	80680			2
15	Seal	80681		*	6
16	O-ring	80682	D155	*	2
20	Hex. screw	80683	M20x80-10.9 ISO 4762		24
21	Lock washer	76830	M20 NORD-LOCK		24
	*) Are included in seal set				

# PRESSURE CONTROL VALVE

## PRESSURE CONTROL VALVE



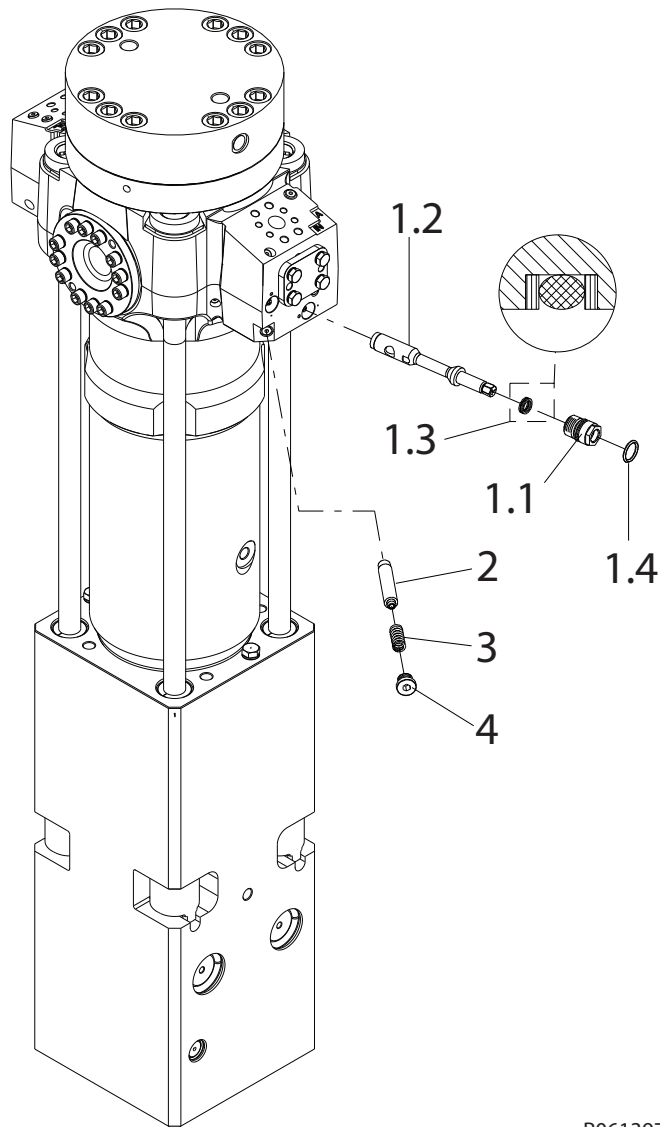
R061398

# PRESSURE CONTROL VALVE

Item	Description	Part no.	Specification	Note	Qty
1	Pressure control valve (incl. parts 1.1-1.15)	80692			1
1.1	Cover	80693			1
1.2	Valve housing	80694			1
1.3	Spool	80695			1
1.4	Guide	80696			1
1.5	Spool	79003			1
1.6	O-ring	76932	D85	*	1
1.7	Spring	79005			1
1.8	Seal	80697		*	1
1.9	Spring guide	79006			1
1.10	Shim plate	80698	S=0.75		X
1.11	Shim plate	79008	S=1		X
1.12	Shim plate	79009	S=0.5		X
1.13	Seal	80699		*	1
1.14	O-ring	79011	D26	*	1
1.15	Plug	79012			1
3	Lock washer	76830	M20 NORD-LOCK		4
4	Hex. screw	78794	M20x70-10.9 ISO 4014		4
	*) Are included in seal set				

# IDLE SELECTOR

## IDLE SELECTOR



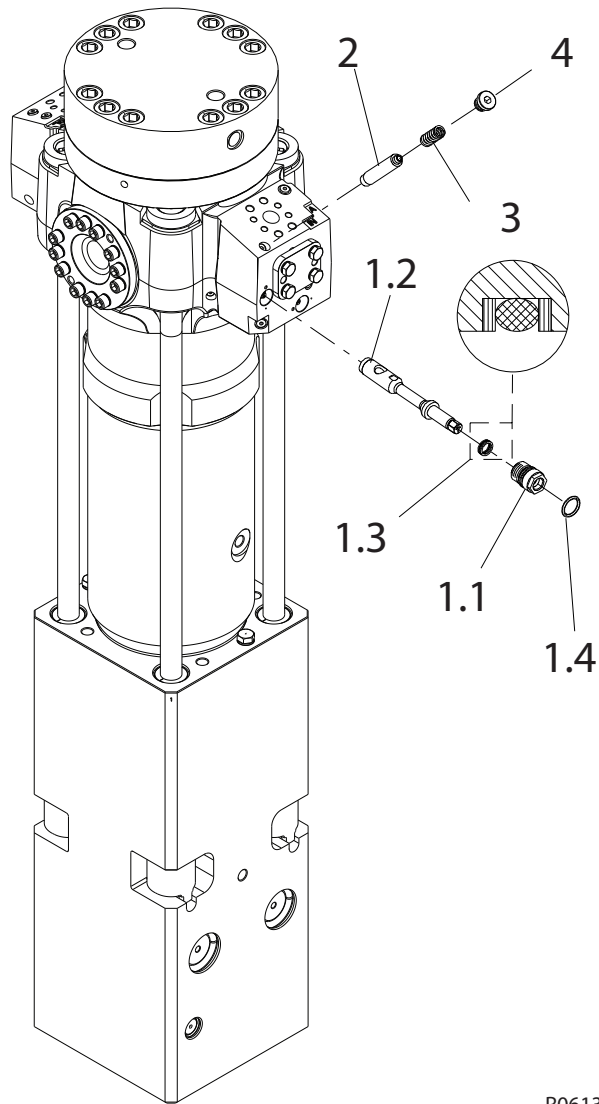
R061397

Item	Description	Part no.	Specification	Note	Qty
1	Valve (incl. parts 1.1-1.4)	78704			1
1.1	Cover	78705			1
1.2	Spool	78706			1
1.3	Seal	78707	D13	*	1
1.4	O-ring	78708	D20	*	1
2	Pin	80700			1
3	Spring	78710	Danly 9-1006-11		1
4	Flange plug	76847	BSP 3/8		1
	*) Are included in seal set				



# STROKE SELECTOR VALVE

## STROKE SELECTOR VALVE

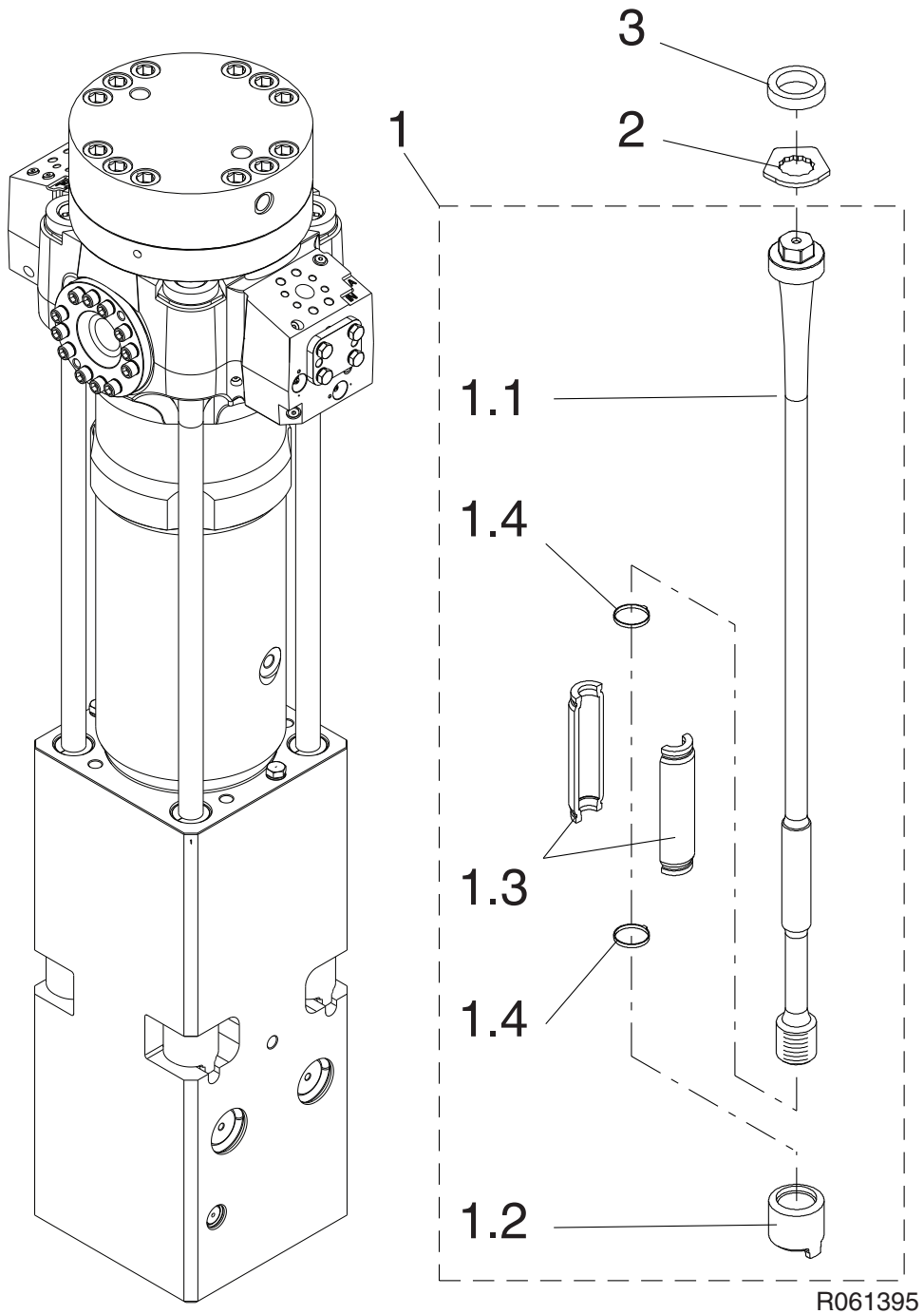


R061396

Item	Description	Part no.	Specification	Note	Qty
1	Valve (incl. parts 1.1-1.4)	78704			1
1.1	Cover	78705			1
1.2	Spool	78706			1
1.3	Seal	78707	D13	*	1
1.4	O-ring	78708	D20	*	1
2	Pin	80700			1
3	Spring	78710	Danly 9-1006-11		1
4	Flange plug	76847	BSP 3/8		1
	*) Are included in seal set				

# TIE RODS

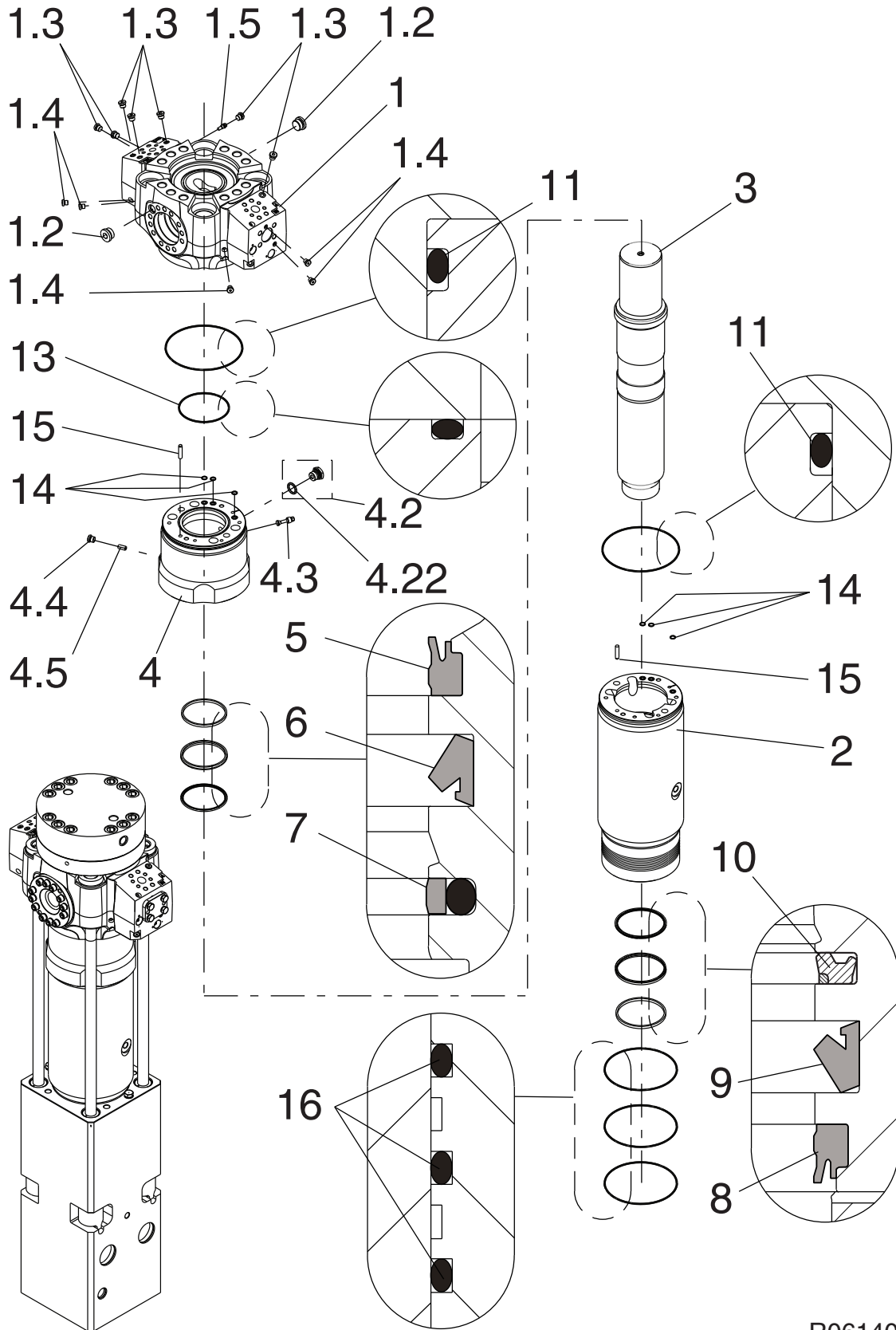
## TIE RODS



Item	Description	Part no.	Specification	Note	Qty
1	Tie rod (incl. parts 1.1-1.4)	80702			4
1.1	Tie rod	N/A			1
1.2	Tie rod nut	N/A			1
1.3	Vibration dampening element	80703			2
1.4	Cable tie	76962			2
2	Lock plate	80704			4
3	Rubber ring	80706			4

# BODY PARTS

## BODY PARTS



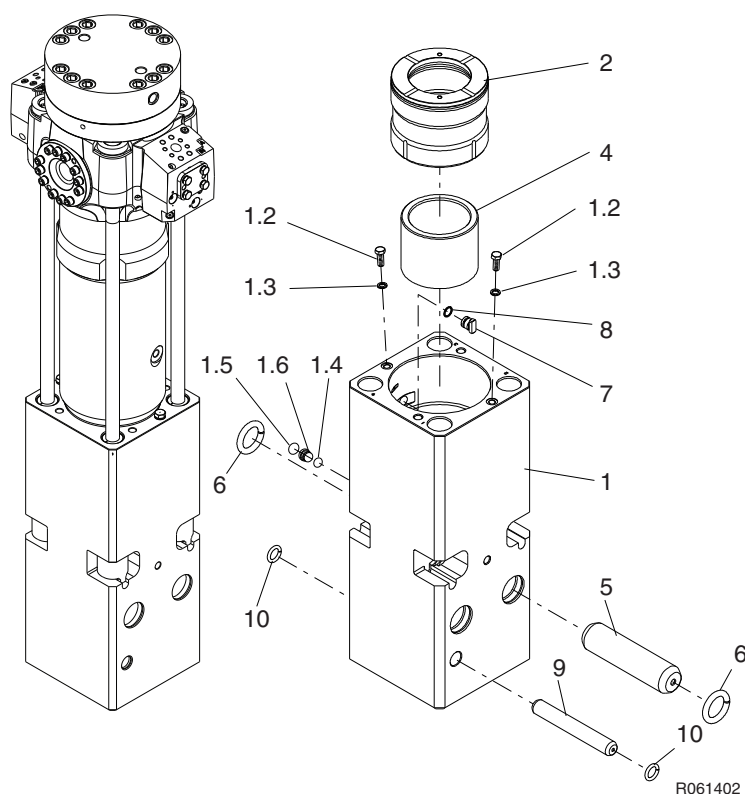
R061404

## BODY PARTS

Item	Description	Part no.	Specification	Note	Qty
1	Valve body (incl. parts 1.2-1.5)	80707			1
1.2	Flange plug	79016	R1		2
1.3	Flange plug	76847	R3/8		7
1.4	Flange plug	76969	R1/4		5
1.5	Nozzle	78716			1
2	Cylinder	80708			1
3	Piston	80709			1
4	Seal carrier (incl. parts 4.2-4.5)	80710			1
4.2	Breather (incl. part 4.22)	78720			1
4.22	O-ring	78721	D27	*	1
4.3	Plug	78722			1
4.4	Flange plug	76847	R3/8		1
4.5	Nozzle	80711			1
5	Wiper	80712		*	1
6	Seal	80713		*	1
7	Seal	80714		*	1
8	Wiper	80715		*	1
9	Seal	80716		*	1
10	Seal	80717		*	1
11	O-ring	80718	D339	*	2
13	O-ring	80719	D219	*	1
14	O-ring	76837	D19	*	6
15	Parallel pin	80720	16m6x80 ISO 8734		2
16	O-ring	80721	D319	*	3
	*) Are included in seal set				

# FRONT HEAD

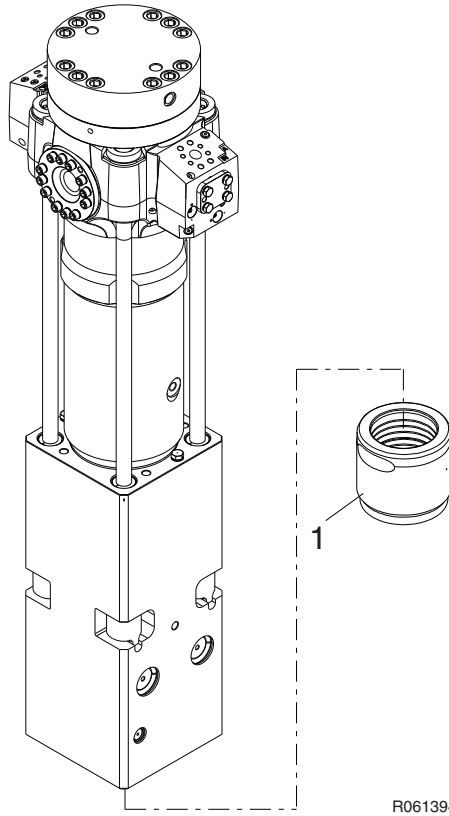
## FRONT HEAD



Item	Description	Part no.	Specification	Note	Qty
1	Front head (incl. parts 1.2-1.6)	80722			1
1.2	Hex. screw	80723	M24x70-12.9 ISO 4017		2
1.3	Lock washer	76854	NL24 NORD-LOCK		2
1.4	O-ring	80724	D15		1
1.5	Spring ring	80725	B25 DIN 779040		1
1.6	Plug	80726			1
2	Thrust ring	80727			1
4	Upper tool bushing	80728			1
5	Tool retaining pin	80729			2
6	Ring	80730			4
7	Wedge	78739			1
8	O-ring	76838	D24	*	1
9	Retaining pin	80731			1
10	O-ring	80732		*	2
	*) Are included in seal set				

# LOWER TOOL BUSHING

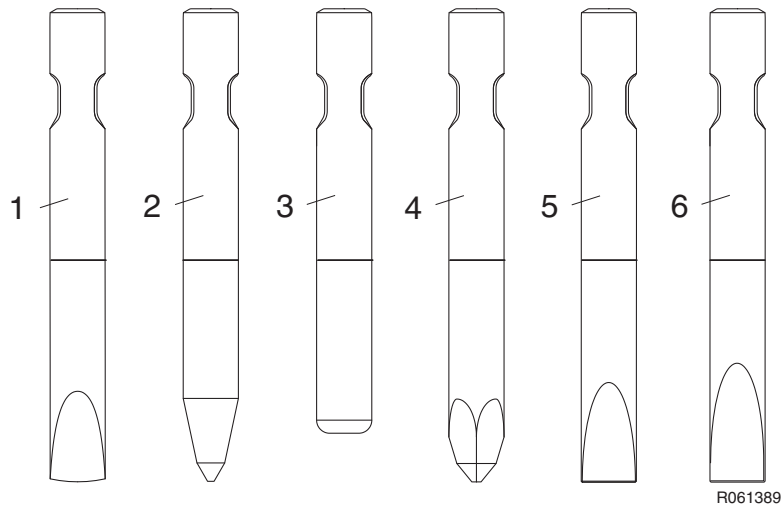
## LOWER TOOL BUSHING



Item	Description	Part no.	Specification	Note	Qty
1	Lower tool bushing	80733			1

# TOOL

## TOOL

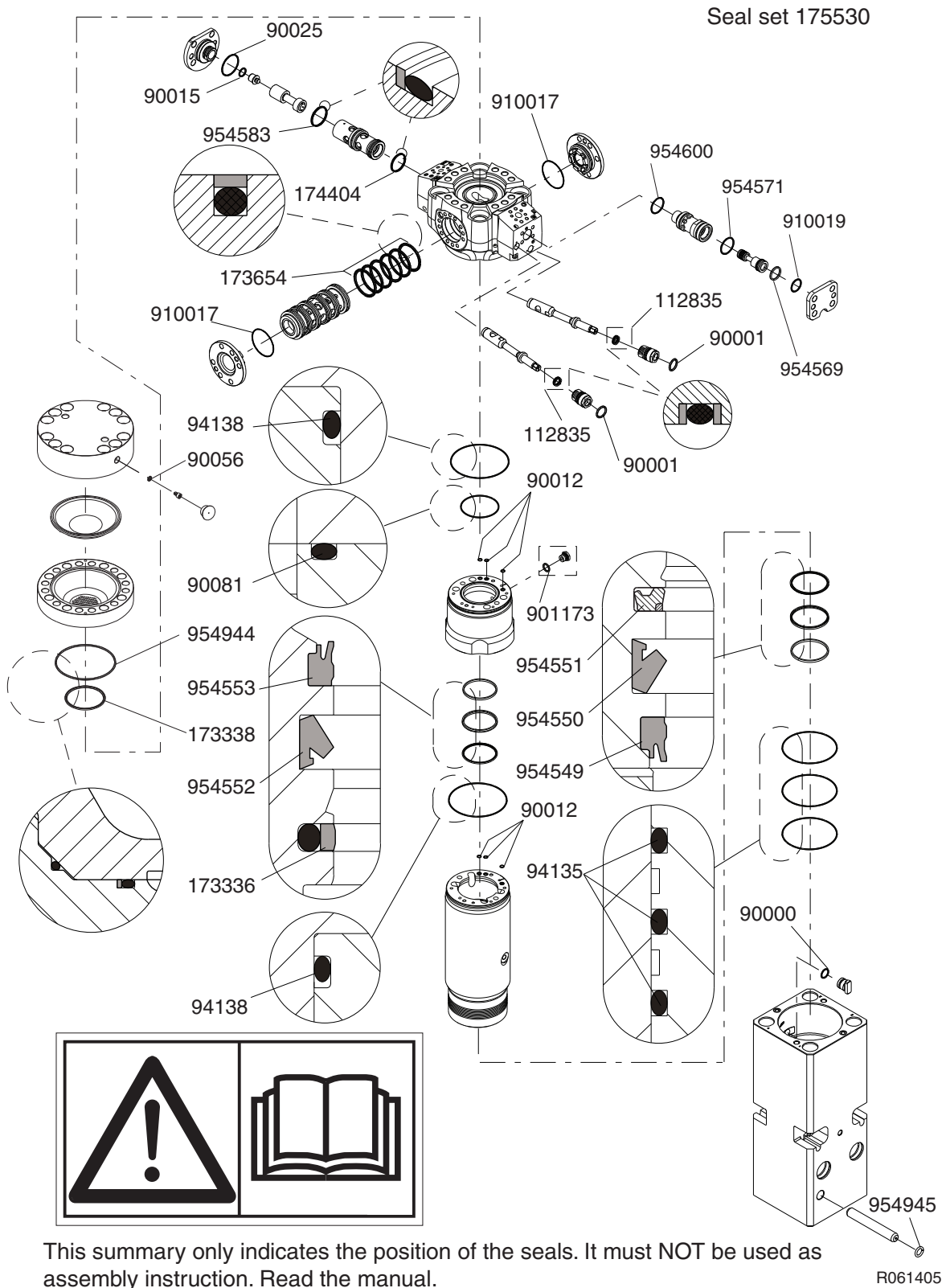


R061389

Item	Description	Part no.	Specification	Note	Qty
1	Chisel	80734	L = 1750 mm, W = 442 kg, D = 215 mm		1
2	Moil point	80735	L = 1750 mm, W = 432 kg, D = 215 mm		1
3	Blunt	80736	L = 1600 mm, W = 431 kg, D = 215 mm		1
4	Pyramid	80737	L = 1750 mm, W = 430 kg, D = 215 mm		1
5	Hard Rock Chisel	80738	L = 1750 mm, W = 422 kg, D = 215 mm		1
6	Limestone Chisel	80739	L = 1750 mm, W = 455 kg, D = 215 mm		1

# SEAL SET

## SEAL SET



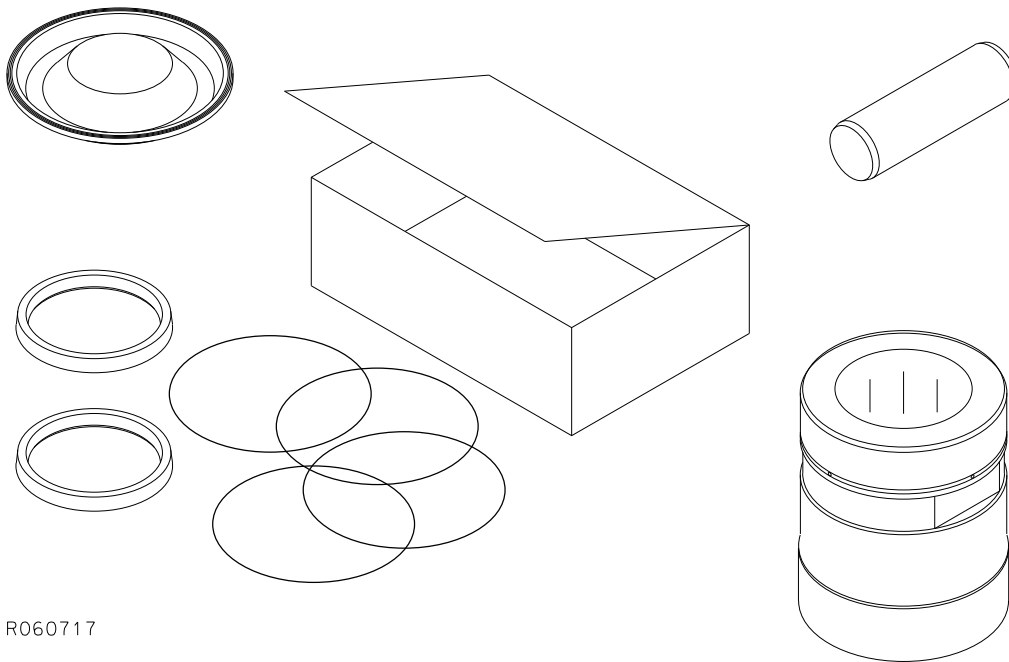


## SEAL SET

Item	Description	Part no.	Specification	Note	Qty
Kit	Seal set (incl. parts 1-28)	80743			1
1	Usit-ring	76846	8-13.9-1		1
2	Seal	80673			1
3	O-ring	80674	D285		1
4	Seal	80681			6
5	O-ring	80682	D155		2
6	O-ring	80688	D42		1
7	O-ring	80689	D60		1
8	O-ring	80690	D58		1
9	Seal	80691	D43		1
10	O-ring	76932	D85		1
11	Seal	80697			1
12	Seal	80699			1
13	O-ring	79011	D26		1
14	Seal	78707	D13		2
15	O-ring	78708	D20		2
16	O-ring	78721	D27		1
17	Wiper	80712			1
18	Seal	80713			1
19	Seal	80714			1
20	Wiper	80715			1
21	Seal	80716			1
22	Seal	80717			1
23	O-ring	80718	D339		2
24	O-ring	80719	D219		1
25	O-ring	76837	D19		6
26	O-ring	80721	D319		3
27	O-ring	76838	D24		1
28	O-ring	80732			2
	The seals for the greasing device are not included in this seal set. They are included in the service kit for the greasing device.				

# SERVICE KIT

## SERVICE KIT

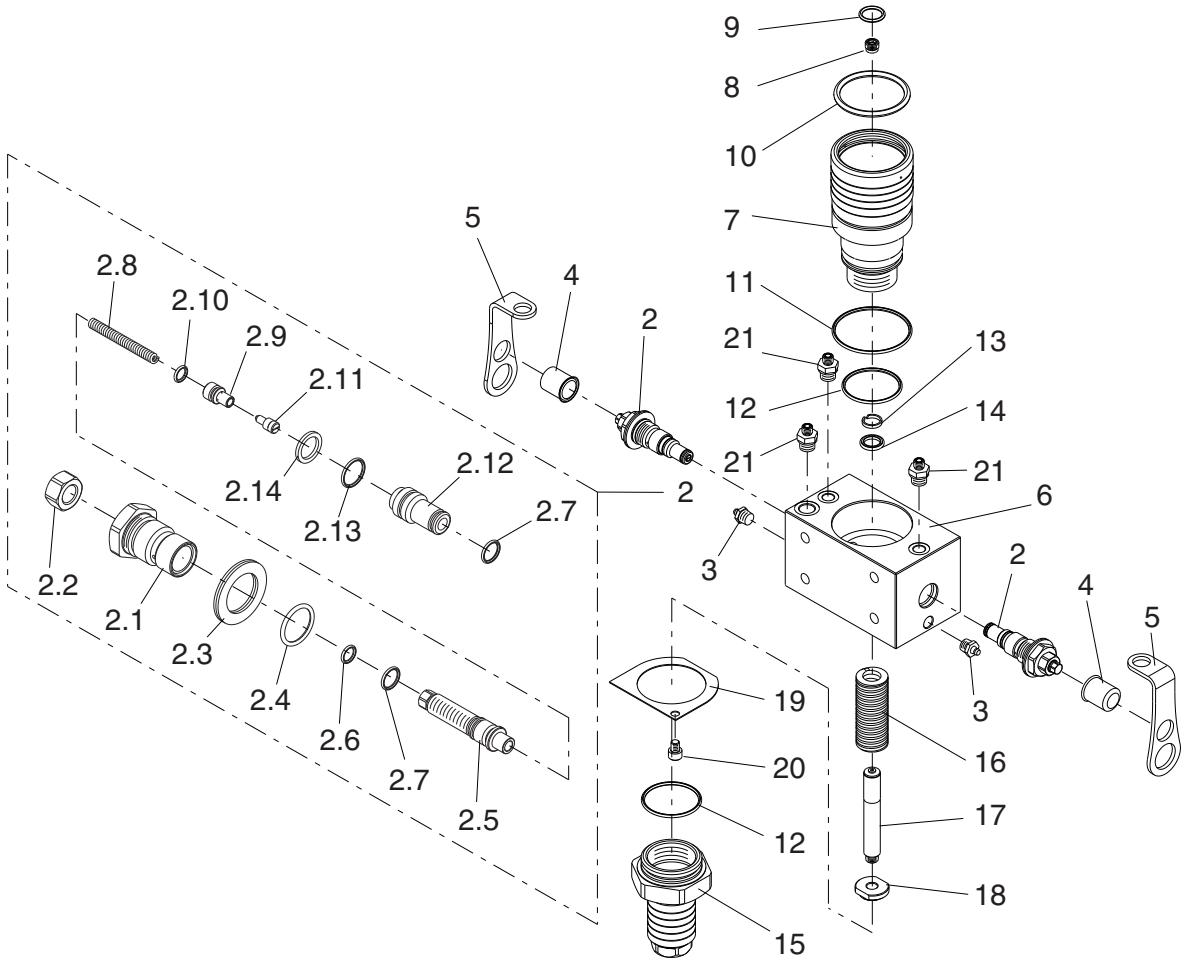


R060717

Item	Description	Part no.	Specification	Note	Qty
Kit	Service kit (incl. parts 1 - 4)	80744			1
1	Membrane	80669			1
2	Tool retaining pin	80729			2
3	Lower tool bushing	80733			1
4	Seal set	80743			1

# GREASING DEVICE

## GREASING DEVICE



R061391

## GREASING DEVICE

Item	Description	Part no.	Specification	Note	Qty
1	Greasing device RG542 (incl. parts 2-20)	78761			1
2	Doser (incl. parts 2.1-2.14)	77730			2
2.1	Plug	77731			1
2.2	Nut	77732	M12x1 DIN 934		1
2.3	Lock washer	76854	M24 NORD-LOCK	*	1
2.4	O-ring	77733	D21	*	1
2.5	Adjusting screw	77734			1
2.6	O-ring	77735	D8	*	1
2.7	O-ring	77736	D11	*	2
2.8	Spring	77737		*	1
2.9	Piston	77738			1
2.10	O-ring	77739	D7	*	1
2.11	Piston	77740		*	1
2.12	Body	77741			1
2.13	O-ring	77742	D15	*	1
2.14	Shim plate	77743		*	1
3	Grease zerk	77714	BSP 1/4	*	2
4	Plug	77744		*	2
5	Locking plate	77745			2
6	Body	78763			1
7	Cartridge holder	78764			1
8	Check valve	77748			1
9	O-ring	77749	D19	*	1
10	O-ring	77750	D62	*	1
11	O-ring	77751	D71	*	1
12	O-ring	77752	D52	*	2
13	Guide ring	77753		*	1
14	Seal	77754		*	1
15	Spring housing	77755			1
16	Spring	77756			1
17	Piston	77757			1
18	Nut	77758			1
19	Lock plate	77759		*	1
20	Hex. socket screw	77760	M8x10-8.8 ISO 4762	*	1
21	Connector	77712	BSPP 1/4		3
kit	Seal set for greasing device	77761			1
	*) Are included in seal set for greasing device				





**LaBounty**  
**1538 Highway 2**  
**Two Harbors, Minnesota 55616-8015 USA**  
**Phone: (218) 834-2123**  
**Fax: (218) 834-3879**